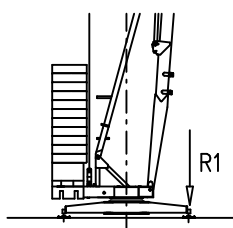


GRU A MONTAGGIO RAPIDO  
 GRUE A MONTAGE RAPIDE  
 GRUA DE RAPIDO MONTAJE  
 GRUA DE MONTAGEM RAPIDA  
 QUICK SELFERECTING CRANE  
 HYDRAULISCHER SCHNELLMONTAGEKRAN

Curve di carico – Courbes de charges – Load diagrams – LastKurven – Curvas de cargas

	<table border="1"> <tr><td>3</td><td>20</td><td>40</td><td>m</td></tr> <tr><td>800</td><td>800</td><td>800</td><td>kg</td></tr> </table>	3	20	40	m	800	800	800	kg	OP	<table border="1"> <tr><td>3</td><td>20</td><td>40</td><td>m</td></tr> <tr><td>1000</td><td>1000</td><td>1000</td><td>kg</td></tr> </table>	3	20	40	m	1000	1000	1000	kg																		
3	20	40	m																																		
800	800	800	kg																																		
3	20	40	m																																		
1000	1000	1000	kg																																		
	<table border="1"> <tr><td>3</td><td>12.7</td><td>14</td><td>16</td><td>18</td><td>20</td><td>22</td><td>24</td><td>26</td><td>28</td><td>30</td><td>32</td><td>34</td><td>36</td><td>38</td><td>40</td><td>m</td></tr> <tr><td>4000</td><td>4000</td><td>3560</td><td>3020</td><td>2620</td><td>2300</td><td>2050</td><td>1850</td><td>1670</td><td>1530</td><td>1410</td><td>1300</td><td>1200</td><td>1120</td><td>1050</td><td>1000</td><td>kg</td></tr> </table>	3	12.7	14	16	18	20	22	24	26	28	30	32	34	36	38	40	m	4000	4000	3560	3020	2620	2300	2050	1850	1670	1530	1410	1300	1200	1120	1050	1000	kg		
3	12.7	14	16	18	20	22	24	26	28	30	32	34	36	38	40	m																					
4000	4000	3560	3020	2620	2300	2050	1850	1670	1530	1410	1300	1200	1120	1050	1000	kg																					
	<table border="1"> <tr><td>3</td><td>10</td><td>14</td><td>16</td><td>18</td><td>20</td><td>22</td><td>24</td><td>26</td><td>28</td><td>30</td><td>32</td><td>34</td><td>36</td><td>37</td><td>m</td></tr> <tr><td>4000</td><td>4000</td><td>4000</td><td>3400</td><td>2950</td><td>2600</td><td>2320</td><td>2090</td><td>1900</td><td>1740</td><td>1600</td><td>1480</td><td>1370</td><td>1280</td><td>1250</td><td>kg</td></tr> </table>	3	10	14	16	18	20	22	24	26	28	30	32	34	36	37	m	4000	4000	4000	3400	2950	2600	2320	2090	1900	1740	1600	1480	1370	1280	1250	kg				
3	10	14	16	18	20	22	24	26	28	30	32	34	36	37	m																						
4000	4000	4000	3400	2950	2600	2320	2090	1900	1740	1600	1480	1370	1280	1250	kg																						
	<table border="1"> <tr><td>3</td><td>13.8</td><td>14</td><td>16</td><td>18</td><td>20</td><td>22</td><td>24</td><td>26</td><td>28</td><td>29.6</td><td>m</td></tr> <tr><td>4000</td><td>4000</td><td>3940</td><td>3350</td><td>2900</td><td>2560</td><td>2280</td><td>2060</td><td>1870</td><td>1710</td><td>1600</td><td>kg</td></tr> </table>	3	13.8	14	16	18	20	22	24	26	28	29.6	m	4000	4000	3940	3350	2900	2560	2280	2060	1870	1710	1600	kg												
3	13.8	14	16	18	20	22	24	26	28	29.6	m																										
4000	4000	3940	3350	2900	2560	2280	2060	1870	1710	1600	kg																										
	<table border="1"> <tr><td>3</td><td>23.9</td><td>24</td><td>26</td><td>28</td><td>30</td><td>32</td><td>34</td><td>36</td><td>38</td><td>40</td><td>m</td></tr> <tr><td>2000</td><td>2000</td><td>1980</td><td>1808</td><td>1650</td><td>1520</td><td>1410</td><td>1310</td><td>1230</td><td>1150</td><td>1100</td><td>kg</td></tr> </table>	3	23.9	24	26	28	30	32	34	36	38	40	m	2000	2000	1980	1808	1650	1520	1410	1310	1230	1150	1100	kg												
3	23.9	24	26	28	30	32	34	36	38	40	m																										
2000	2000	1980	1808	1650	1520	1410	1310	1230	1150	1100	kg																										
	<table border="1"> <tr><td>3</td><td>26.3</td><td>28</td><td>30</td><td>32</td><td>34</td><td>36</td><td>37</td><td>m</td></tr> <tr><td>2000</td><td>2000</td><td>1850</td><td>1710</td><td>1580</td><td>1480</td><td>1380</td><td>1350</td><td>kg</td></tr> </table>	3	26.3	28	30	32	34	36	37	m	2000	2000	1850	1710	1580	1480	1380	1350	kg																		
3	26.3	28	30	32	34	36	37	m																													
2000	2000	1850	1710	1580	1480	1380	1350	kg																													
	<table border="1"> <tr><td>3</td><td>25.8</td><td>26</td><td>28</td><td>29.6</td><td>m</td></tr> <tr><td>2000</td><td>2000</td><td>1970</td><td>1810</td><td>1700</td><td>kg</td></tr> </table>	3	25.8	26	28	29.6	m	2000	2000	1970	1810	1700	kg																								
3	25.8	26	28	29.6	m																																
2000	2000	1970	1810	1700	kg																																
	<table border="1"> <tr><td>3</td><td>14</td><td>m</td></tr> <tr><td>4000</td><td>4000</td><td>kg</td></tr> </table>	3	14	m	4000	4000	kg		<table border="1"> <tr><td>3</td><td>14</td><td>m</td></tr> <tr><td>2000</td><td>2000</td><td>kg</td></tr> </table>	3	14	m	2000	2000	kg																						
3	14	m																																			
4000	4000	kg																																			
3	14	m																																			
2000	2000	kg																																			

Reazioni – Reactions – Réactions – Eckdrücke – Reacciones – Reacções

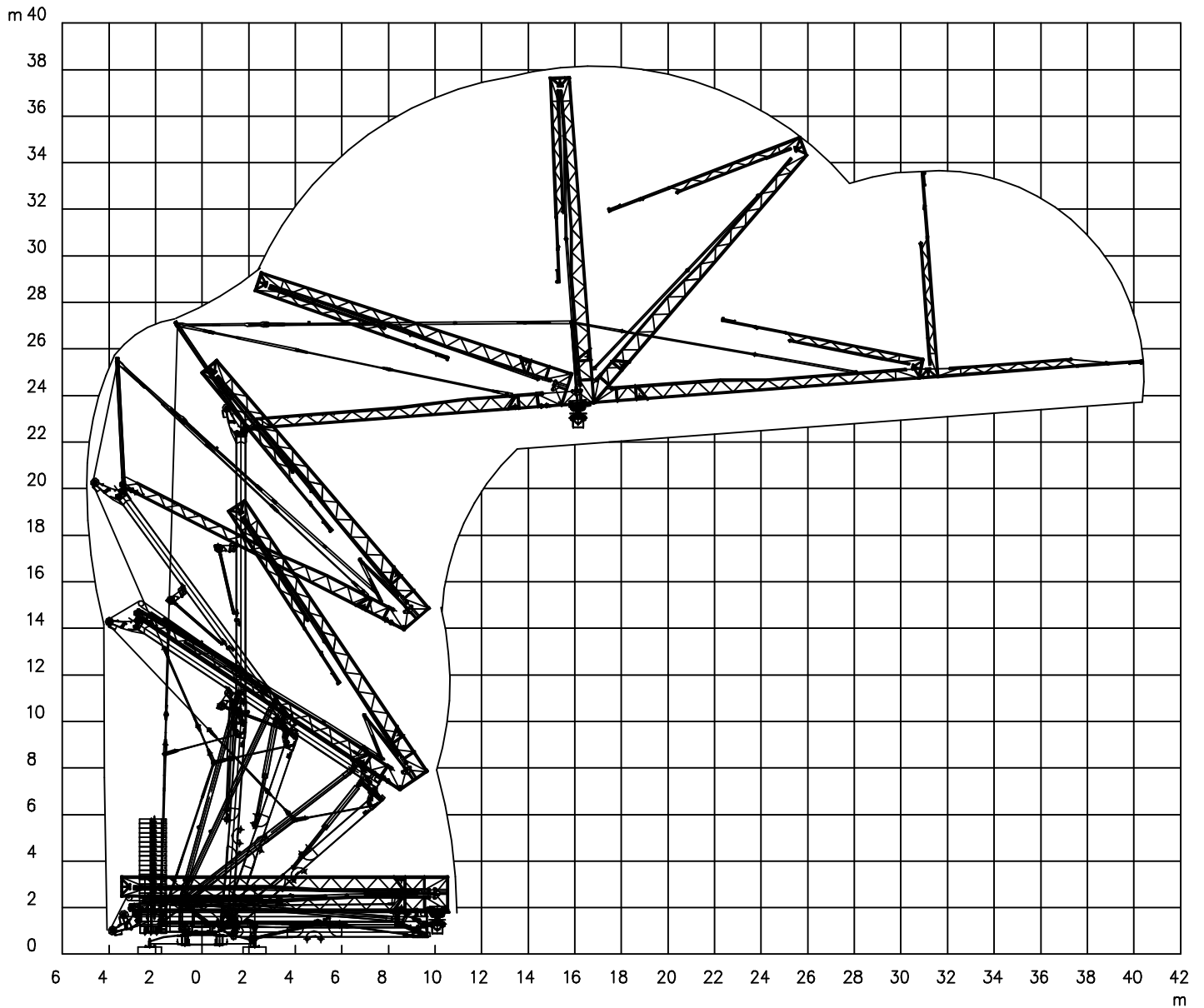


R1 ● 28 t ■ 22 t

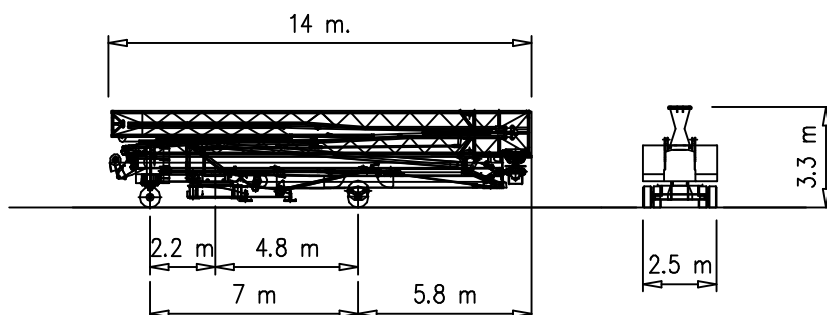
▲ 15.5 t ○ 26.3 t

- |                               |                                       |                                      |
|-------------------------------|---------------------------------------|--------------------------------------|
| ● Reazioni in servizio        | ● Reactions in service                | ● Réactions en service               |
| ■ Reazioni fuori servizio     | ■ Reactions out of service            | ■ Réactions hors service             |
| ▲ Peso della gru senza assali | ▲ Dead weight without transport axles | ▲ Poids de construction sans essieux |
| ○ Peso zavorra rotante        | ○ Ballast weight                      | ○ Poids du lest                      |
- 
- |  |  |   |
|--|--|---|
| ● Reaktionskräfte in betrieb               | ● Reacciones en servicio                 | ● Em serviço                              |
| ■ Reaktionskräfte außer betrieb            | ■ Reacciones fuera de servicio           | ■ Fora de serviço                         |
| ▲ Konstruktionsgewicht ohne transportachse | ▲ Peso de la grua sin tren de transporte | ▲ Peso de la grua sem carro de transporte |
| ○ Ballastgewicht                           | ○ Peso de lastre                         | ○ Peso de lastre rotativo                 |

Montaggio – Montage – Erection – Montage – Montaje – Montagem




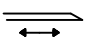
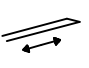
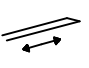



Trasporto – Transport – Transport – Transport – Transporte



P1	kg	10050
P2	kg	12630
Ptot	kg	22680

Meccanismi – Mechanisms – Mécanismes – Antriebe – Mecanismos

Sollevamento V12.40 Hoisting Levage Heben Elevaciòn Elevaçao	▲ ● ▼		1a	4 m/min	2000 kg	10 kW
			2a	20 m/min	2000 kg	
			3a	40 m/min	1000 kg	
			1a	2 m/min	4000 kg	
			2a	10 m/min	4000 kg	
			3a	20 m/min	2000 kg	
Sollevamento V15.45 Hoisting Levage Heben Elevaciòn Elevaçao			1a	4 m/min	2500 kg	11 kW
			2a	15 m/min	2500 kg	
			3a	25 m/min	2000 kg	
			4a	45 m/min	1000 kg	
Carrello Trolleying Distribution Katzfahren Distribuciòn Distribuiçao			1a	5 m/min	4000 kg	2.2 kW/3 kW
			2a	17 m/min	4000 kg	
			3a	34 m/min	2000 kg	
Carrello Trolleying Distribution Katzfahren Distribuciòn Distribuiçao	◀■▶		1a	5 m/min	800 kg	2.2 kW
			2a	17 m/min	800 kg	
Carrello Trolleying Distribution Katzfahren Distribuciòn Distribuiçao			1a	5 m/min	800 kg	3 kW
			2a	17 m/min	800 kg	
Rotazione Slewing Orientation Schwenken Orientaciòn Rotaçao			1a	0 → 0.2	giri/min tr/min rp/min	4 kW
			2a	0 → 0.5		
			3a	0 → 0.8		

Rete elettrica – Réseau – Mains supply – Netzstrom – Red – Rede electrica	400V – 50 Hz
---	--------------

Potenza elettrica necessaria – Puissance électrique nécessaire Necessary electric power – Anschlusswert – Potencia electrica necesaria	V12.40 18 kVA V15.45 20 kVA
---	--------------------------------

 FMgru s.r.l. via Emilia 11–29010 Pontenure PC ITALY tel. 0523/510446 ric.aut. fax 0523/510365 www.fmgru.com e-mail: info@fmgru.com	DIN 15018 2000/14/CE	
---	-------------------------	--



Documento commerciale non contrattuale  
Per tutte le informazioni tecniche riferirsi  
alle corrispondenti Istruzioni

Unverbindliches Vertriebsdokument.  
Für technische Informationen, siehe die  
entsprechenden Anweisungen.

This commercial document is not legally  
binding. For any technical information, please  
refer to the corresponding instructions.

Documento commercial no contractual  
Para cualquier información técnica,  
ver la noticia correspondiente.

Code: 15ICA37B90A0			
Ed.	Data	Rev	Data
1	11.04.07	0	11.04.07